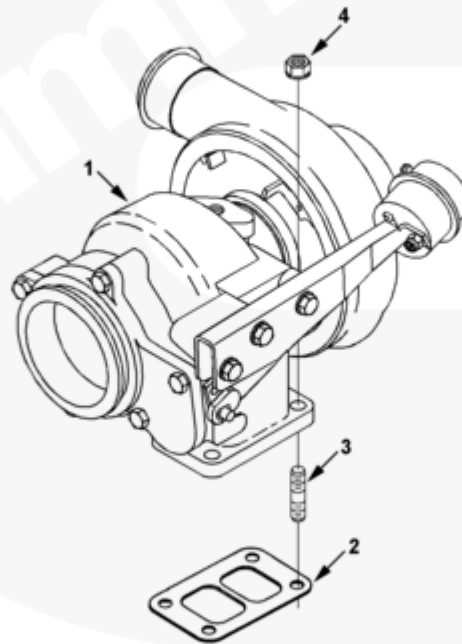




Parts Catalog - Option Detail

Electronic Parts Catalog - Option Detail				
Option	Group	Graphic	Film Card	Date
PP97012-01	10.05	pp959gf	Z	23-OCT-95
Engines	6C8.3, C GAS PLUS CM556, G8.3, G8.3 CM558, GTA8.3 CM558, ISC CM2150, ISC CM554, ISC CM850, ISC8.3 CM2250, ISC8.3 G CM2180 C101, ISL CM2150, ISL CM554, ISL CM850, ISL G CM2180, ISL8.9 CM2150 L110, ISL8.9 CM2880 L112, ISL9 CM2150 SN, ISL9 CM2250, ISL9 CM2350 L101, ISL9 CM2350 L111, ISLE4 CM850, L GAS PLUS CM556, L8.9, L8.9 L121, L8.9G CMOH2.0 L125B, L9 CM2350 L116B, L9 CM2350 L119B, L9 CM2350 L120C, L9 CM2350 L123B, L9.3 L105, L9.5 L117, L9N CM2380 L124B, QSC8.3 CM2250, QSC8.3 CM2880 C102, QSC8.3 CM554, QSC8.3 CM850(CM2850), QSL9 CM2250, QSL9 CM2250 L115, QSL9 CM2350 L102, QSL9 CM2350 L107, QSL9 CM2350 L118, QSL9 CM2350 L122, QSL9 CM554, QSL9 CM850(CM2850), QSL9 G CM558, QSL9 M CM2250 L106, QSL9.3 CM2880 L113			



pp959gf

Cart	Ref No	Part Number	Part Description	Required	Remarks
View My Cart					
		PP97012-01	Turbocharger		MR - TURBOCHARGER...(More)
					Engine Family: C Series
					Turbo Location: HMRO
					Base ID17 Turbo: 3533005
					Turbo Type: Wastegate
					Wastegate Pressure Setting
					(BAR): 0
					Turbo Model: HX40W
					Compressor Angle (shipping
					deg): 225
					Turbine Angle (deg): 15
					Engine Cylinders: 6
					Active Oil Cooled Turbo
		3533006	Turbocharger	1	
<input type="checkbox"/>	1	3533005	Turbocharger	1	Recon Equivalent 3802614 RX
		3527619	Dataplate	1	
<input type="checkbox"/>	2	3911941	Turbocharger Gasket	1	
<input type="checkbox"/>	3	3818823	Double End Plain Stud	4	
<input type="checkbox"/>	4	3818824	Hexagon Flange Nut	4	M10 X 1.50.